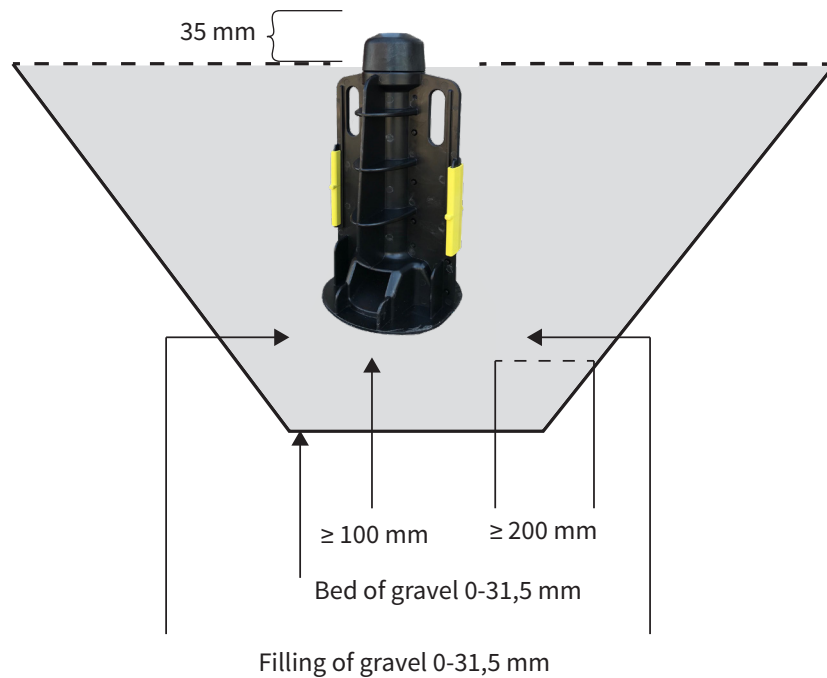


Assembly instructions

Greenpipe Quick Eco Base 60



1 The foundation must be established on a well-drained conduit bed. Excavate pits at least 30 cm deeper than the foundation's reduction depth.

Refill the bottom with 0-31.5 gravel and make it compact by using a vibrating machine to achieve a leveled surface.

3 During this process, ensure the foundation is consistently adjusted to maintain a level state. This is crucial, as the stabilization edges of the foundation can make post-adjustments challenging.

Caution! The foundation should, if nothing else is suggested, be set with the top edge approx. 35 mm above finished ground level.

2 Backfill the foundation manually by compacting thin layers (maximum 100 mm) until reaching a point where a vibrating machine can be utilized to create a finished surface.

i

- If placed on a slope, avoid situating the foundation at the trench's bottom. Factor in the highest water level in the trench. Unless is specified otherwise, position the foundation 480 mm beneath ground level, leaving the top edge approximately 35 mm higher than the finished ground level.
- Capable of ground moment stability of 0.6 kNm.
- Foundation installation involves filling and compacting in accordance with AMA Plant 17 CEB.53.

Dimension (mm)	60/520
Customized pillardiam. (mm)	60
Hight (mm)	520
Insertion depth	350
Weight per unit (kg)	3,5
Quantity (styck/ppl)	36/72
Savings in oil & Co2-eq	5,95 l/8,96 kg

Greenpipe

+46 470-120 10 | Greenpipegroup.com